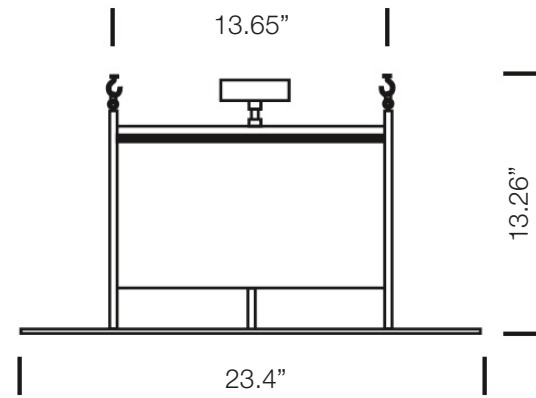


masters of modernism



AGL, max. 100 W E 27

Ceiling Lamp - Marianne Brandt, 1926

DMB 30

Ceiling lamp with cylindric opaque glass shade and frosted glass plate.

Nickel plated metal, opaque glass and frosted glass.

Each lamp is consecutively numbered and bears this logo: TECNOLUMEN
BAUHAUS

